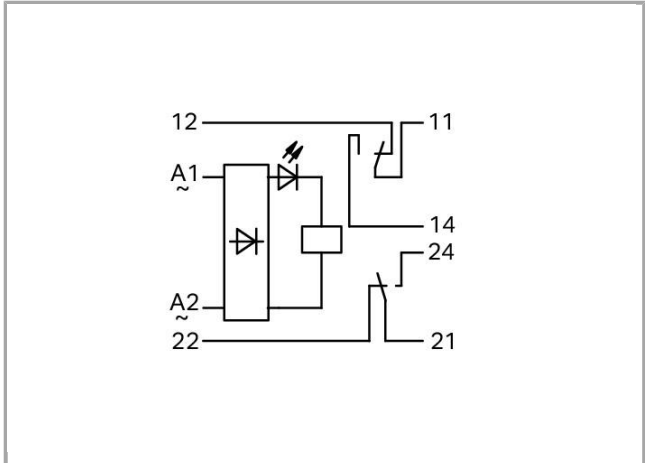


Data sheet | Item number: 288-512

Relay module; Nominal input voltage: 24 V AC/DC; 2 changeover contacts;
Limiting continuous current: 6 A; Module width: 23 mm



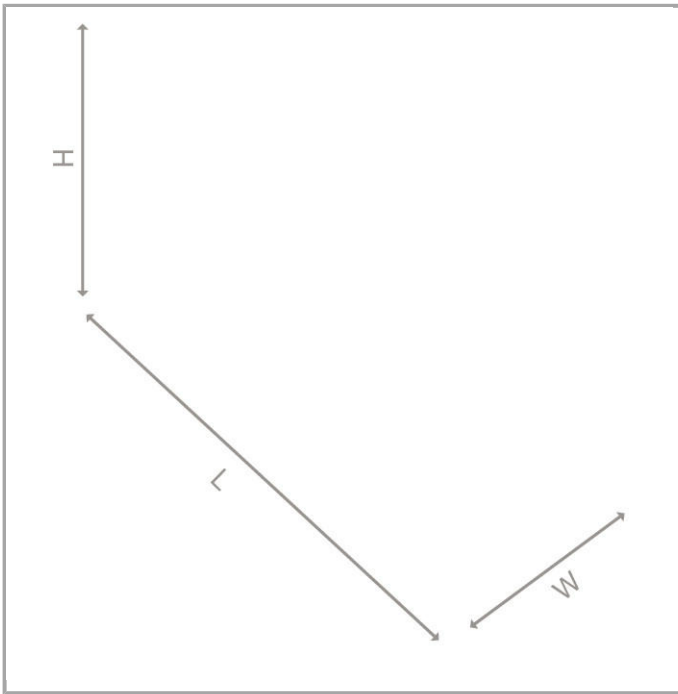
288-512



RoHS
Compliant

[BOMcheck.net](https://www.bomcheck.net)

Color:

**Data****Technical Data****Control circuit**

Nominal input voltage U_N	AC/DC 24 V
Input voltage range	$\pm 10\%$
Nominal input current at U_N	21.8 mA

Load circuit:

Number of changeover/switchover contacts	2
Contact material (relay)	AgNi 0.15
Limiting continuous current	6 A
Max. make current (resistive)	(AC) 14 A / 4 s
Max. switching voltage	AC 250 V
Max. switching power (resistive)	AC 1,500 VA
Pull-in time (typ.)	8 ms
Drop-out time (typ.)	3 ms
Bounce time (typ.)	2 ms
Electrical life (N.O.; resistive load; 23 °C)	100×10^3 switching operations
Mechanical life (N.O.; resistive load; 23 °C)	20×10^6 switching operations



Safety and protection:

Rated voltage	250 V
Rated impulse voltage	2.5 kV
Pollution degree	2
Dielectric strength, control/load circuit (AC, 1 min)	2 kVrms
Dielectric strength open contact (AC, 1 min)	1 kVrms
Dielectric strength, load/load circuit (AC, 1 min)	1.5 kVrms

Connection data

Connection technology	CAGE CLAMP®
WAGO terminal	WAGO 236 Series
Solid conductor	0.08 ... 2.5 mm ² / 28 ... 12 AWG
Fine-stranded conductor	0.08 ... 2.5 mm ² / 28 ... 12 AWG
Strip length	5 ... 6 mm / 0.2 ... 0.24 inch

Geometrical Data

Width	22.5 mm / 0.886 inch
Height from upper-edge of DIN-35 rail	48 mm / 1.89 inch
Depth	85 mm / 3.346 inch

Mechanical data

Type of mounting	DIN-35 rail
------------------	-------------

Material Data

Color	gray
Weight	48.4 g

Environmental Requirements

Pollution degree	2
Surrounding air (operating) temperature at U _N	-25 ... 40 °C
Surrounding air (storage) temperature	-40 ... 80 °C

Standards and specifications

Standards/specifications	EN 60664-1
--------------------------	------------





Commercial data

Product Group	6 (Interface Electronics)
---------------	---------------------------

Country of origin	DE
GTIN	4045454413750
Customs Tariff No.	85364900990

Compatible products

Marking accessories

	Item no.: 709-177 Marking strips; on reel; 7.5 mm wide; not stretchable; plain; snap-on type	709-177
	Item no.: 709-178 Marking strips; on reel; 7.5 mm wide; not stretchable; plain; snap-on type	709-178
	Item no.: 709-196 Marking strips; for laser printer	709-196
tools		
	Item no.: 210-720 Operating tool with partially insulated shaft; Type 2, blade (3.5 x 0.5) mm	210-720

Downloads

Documentation

Bid Text

288-512 Relaisbaustein	Jan 22, 2016	doc 28.7 kB	Download
---------------------------	--------------	----------------	----------

Additional Information

Disposal; Electrical and electronic equipment, Packaging	V 1.0.0	pdf 265.8 kB	Download
--	---------	-----------------	----------

CAD/CAE - Smart Data

CAD data

3D Download 288-512	URL	Download
---------------------	-----	----------

Subject to changes.